



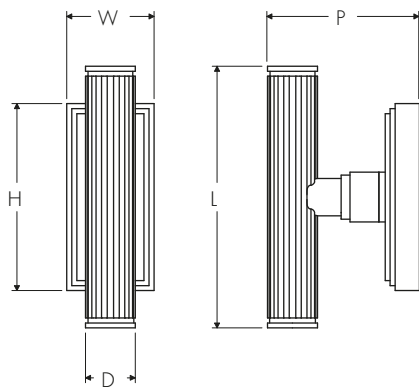
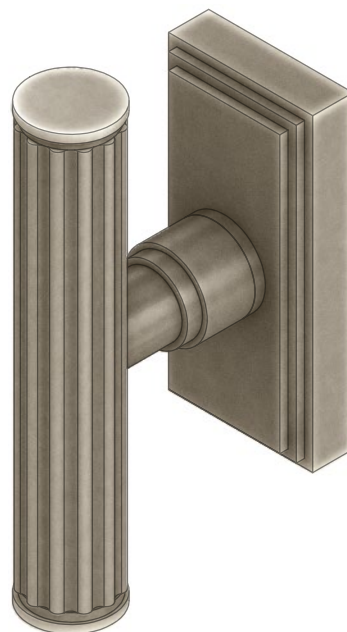
# ATELIER BONOMI

## Martellina per Finestra Serie Roma Roma Series Window Handle

### Dimensioni Dimensions

	L	P	D	W	H
S	90	62	20	35	75
M	105	62	20	35	75
L	120	62	20	35	75

Dimensioni in millimetri  
Dimensions given in millimeters



Fornito con meccanismo DK q.7x45mm e viti M5x50.  
Disponibile in tutte le finiture standard.

Dimensioni e finiture su misura disponibili su richiesta.

Regularly furnished with DK mechanism q.7x45mm and M5x50 screws.  
Additional sizes available by special order. Available in standard and custom finishes.